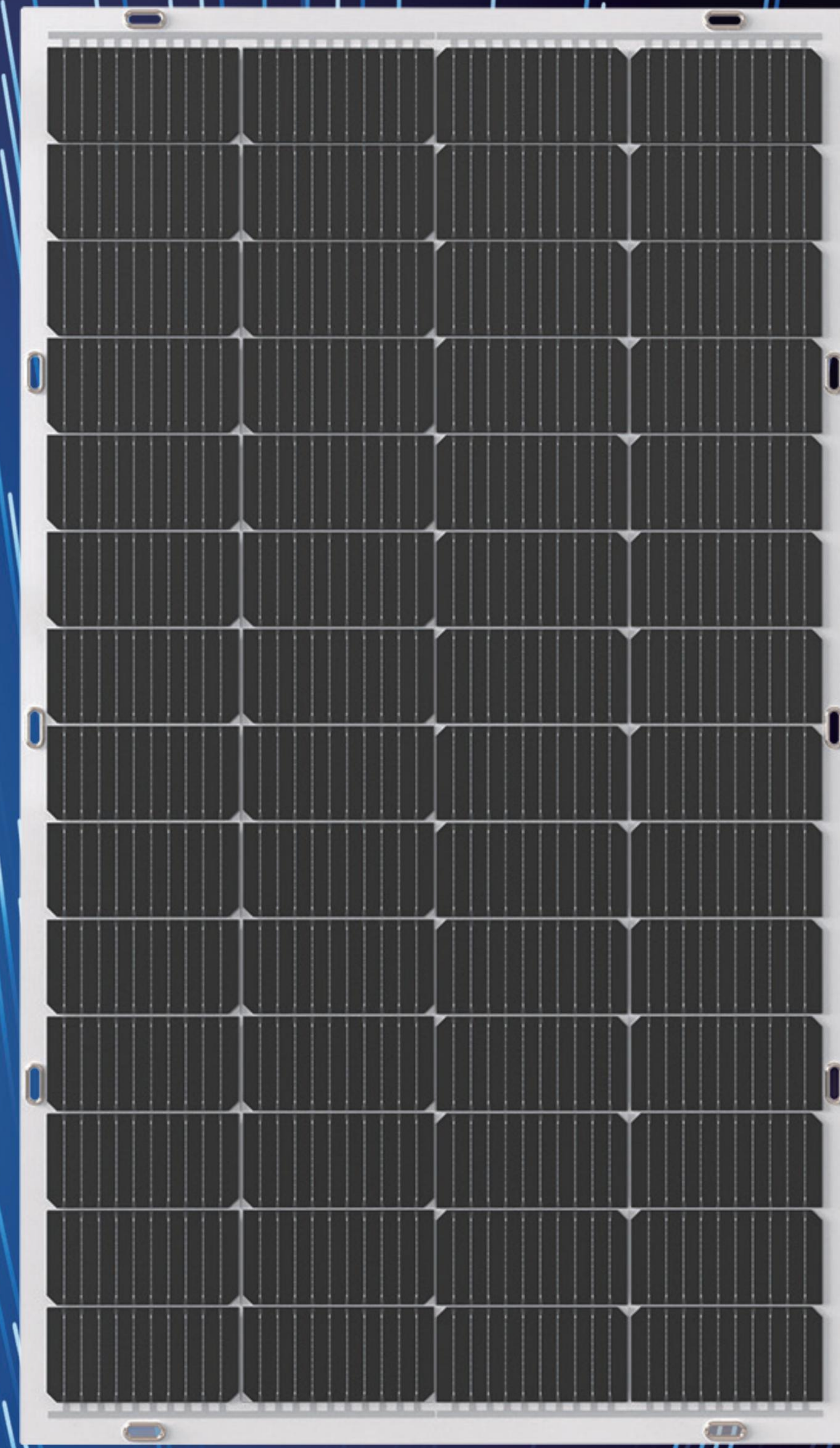


# Balcony Solar System

PERC Technology



## 200W

/Output power



### Fast Installation

## 18.3%

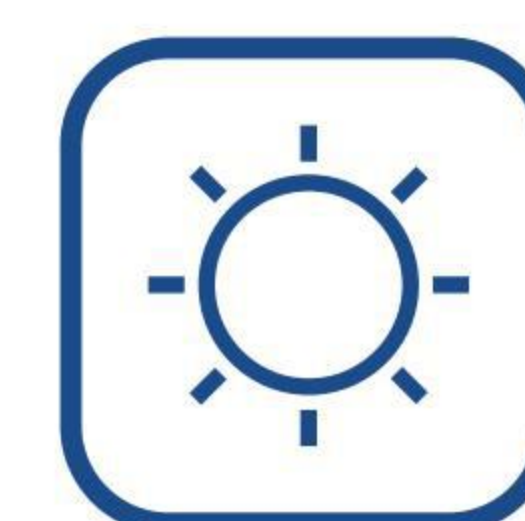
/Maximum efficiency



### Light Weight

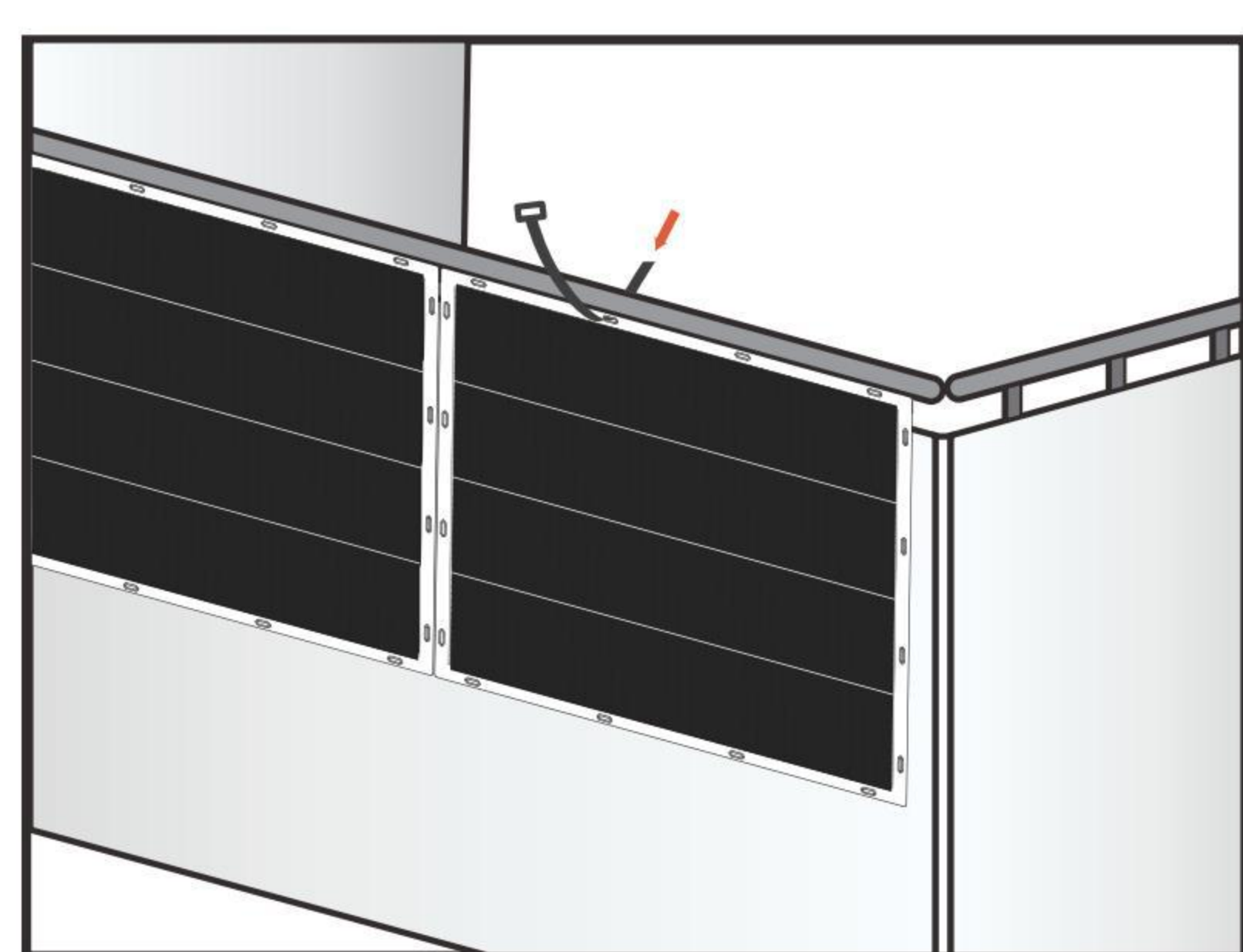
## 0~+5W

/Power tolerance



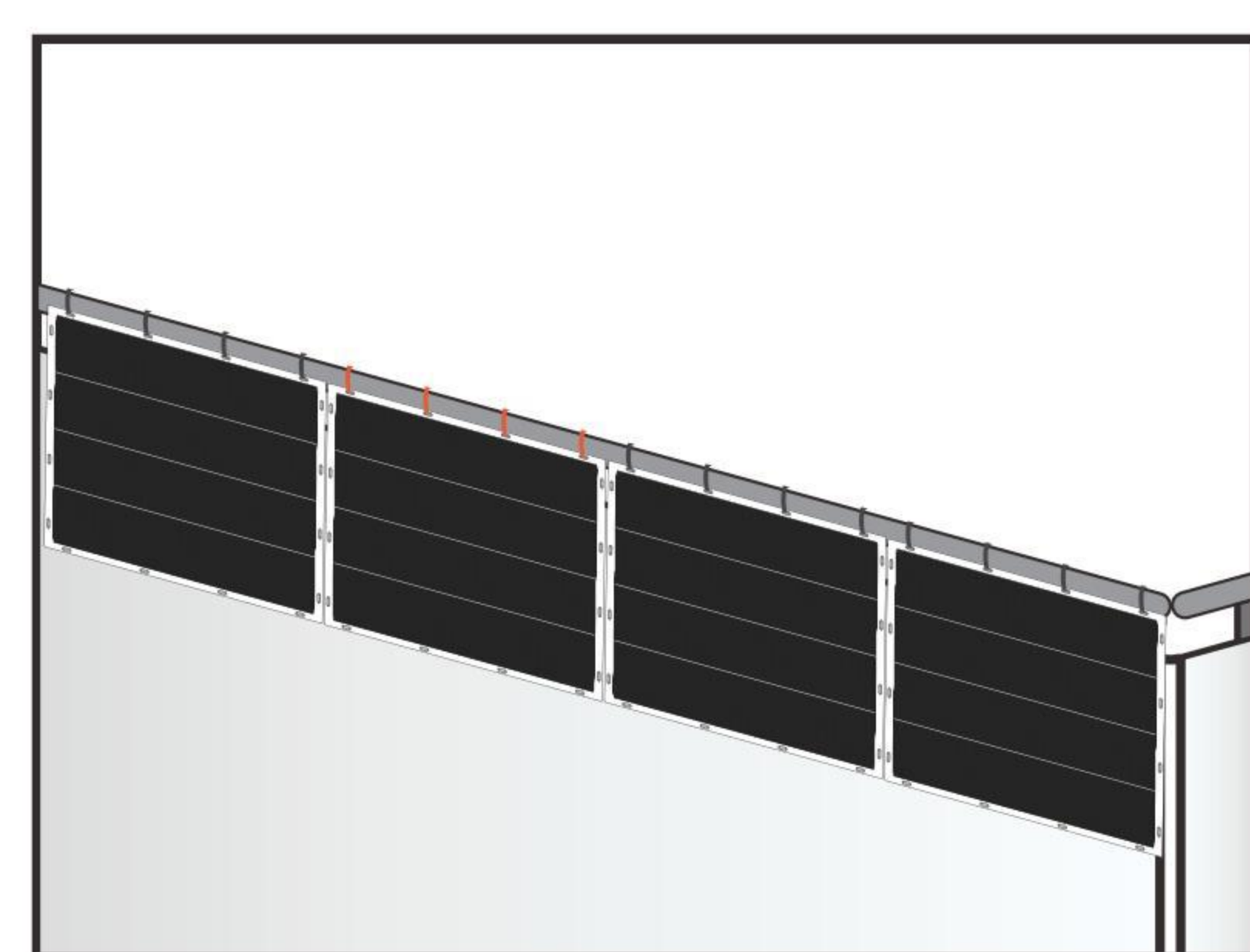
### Multiple Using Scenarios

STEP 1



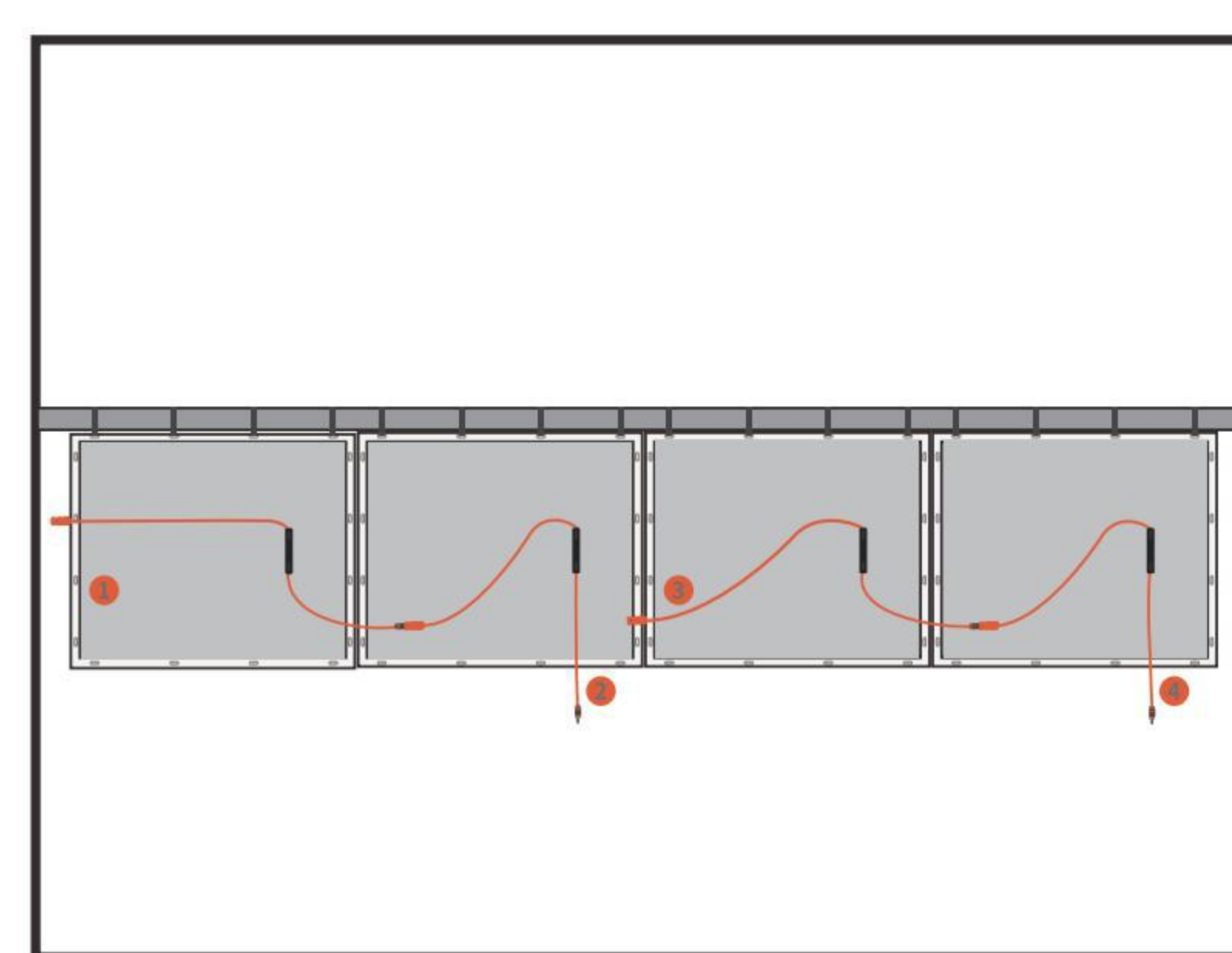
Fix the solar panel with strap to the balcony

STEP 2



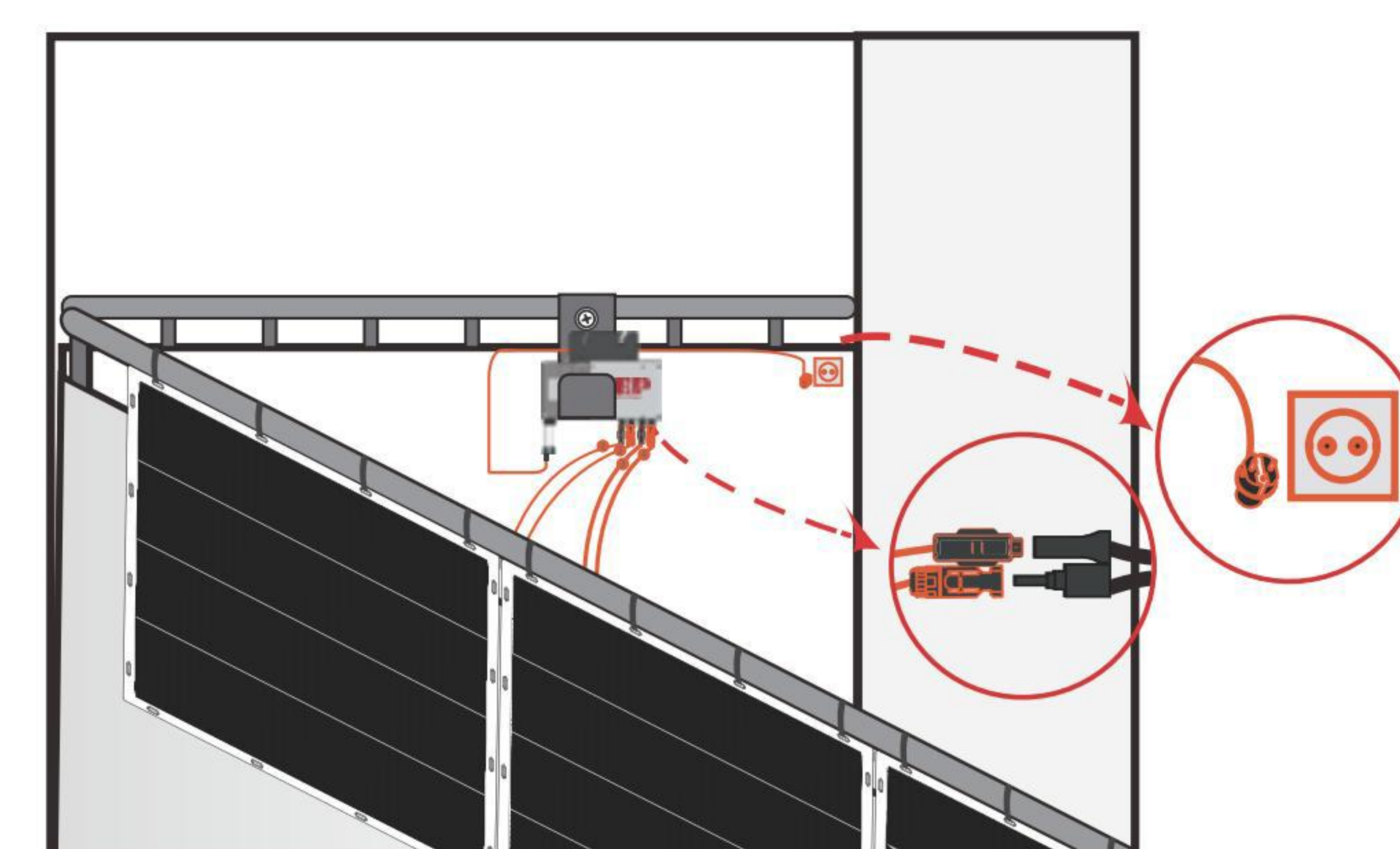
Follow the first step and fix all the solar panels

STEP 3



Connect micro-inverter

STEP 4

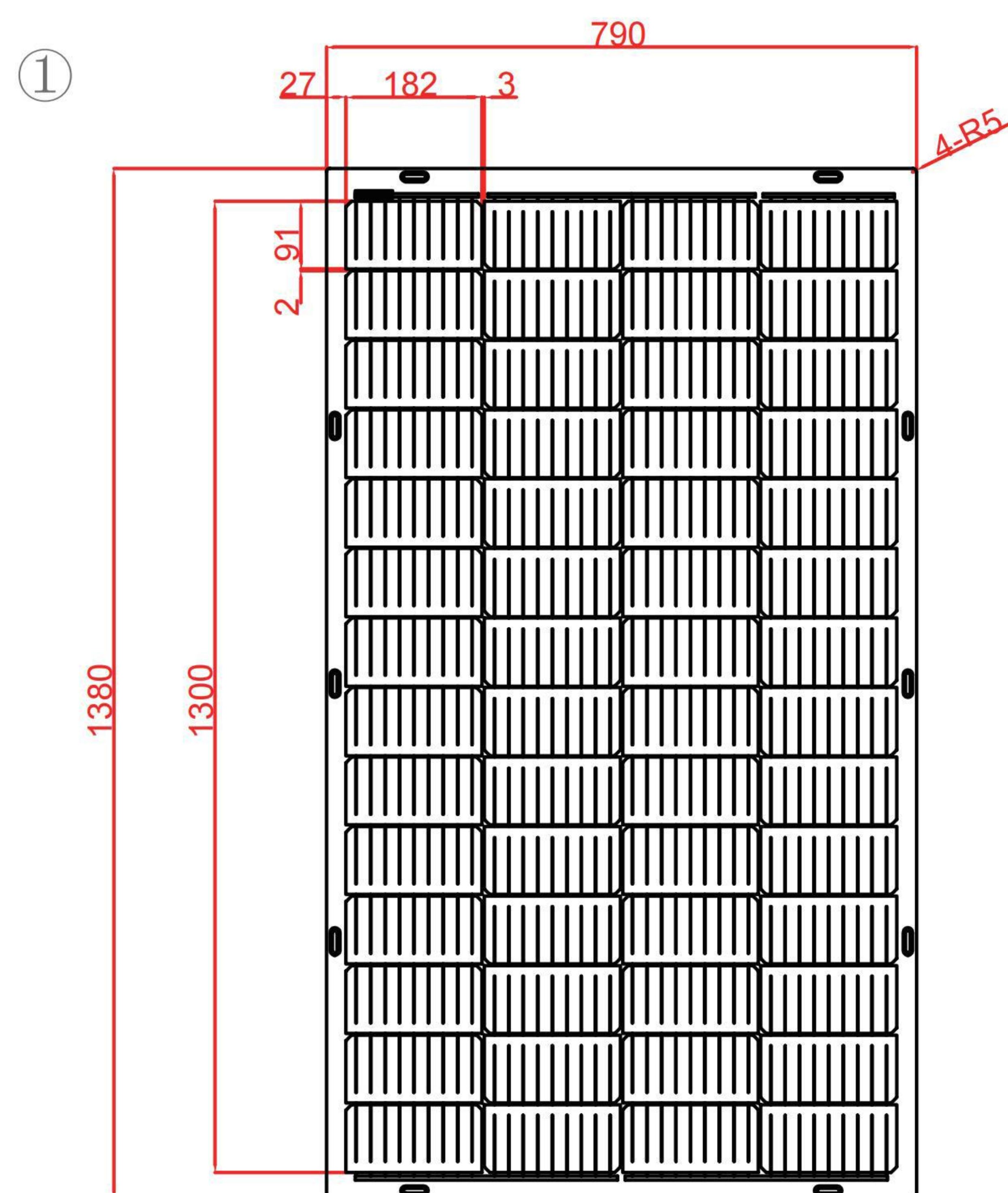


Connect extension cable and plug in power supply

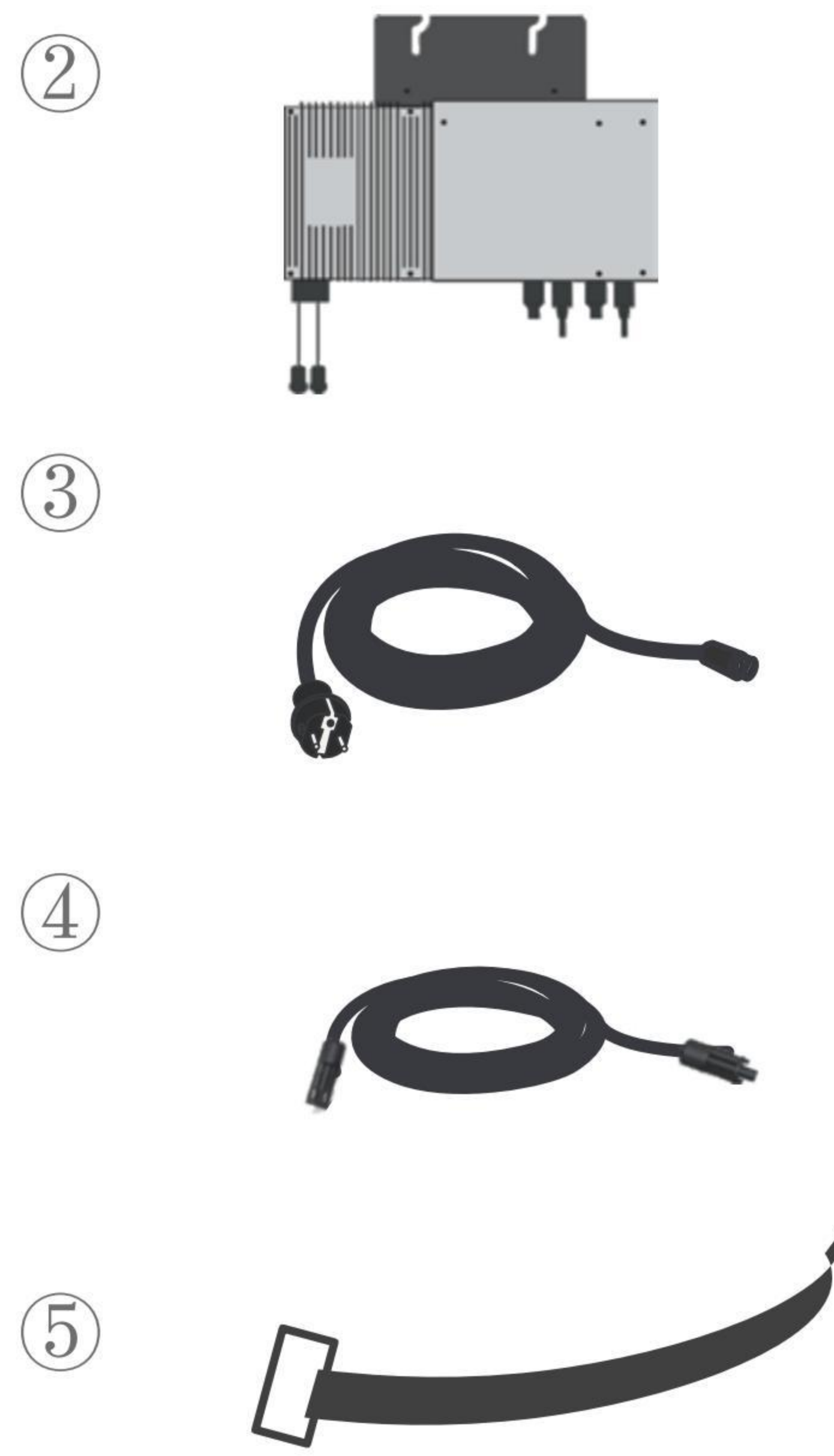
Note: Please consult the technical engineers for detailed installation steps. The above pictures are only for reference.

CE Quality system:ISO 9001: 2005





CETC-200M(LB)/56



## Component

- ① Flexible Solar Panel\*4
- ② Micro-inverter\*1
- ③ AC Cable\*1
- ④ PV Cable 4m\*4
- ⑤ Fixing strap\*64

### Panel Packaging(2 pieces/set)

Container	20'GP	40'HQ
Sets per pallet	42	49
Sets per container	336	882

### PV inverter(1 box/set)

Container	20'GP	40'HQ
Boxs per pallet	120	120
Boxs per container	1920	4320

## Solar panel

### ELECTRICAL CHARACTERISTICS

Module Type	CETC-200M(LB)/56
Rated Maximum Power(Pmax)	200W
Power Sorting	(0, +4.99)
Current at Pmax(Imp)	13.0A
Voltage at Pmax(Vmp)	15.4V
Short-circuit Current(Isc)	13.6A
Open-circuit Voltage(Voc)	19.4V
Power Production Tolerance	±3%
Short-circuit Current Tolerance	±5%
Open-circuit Voltage Tolerance	±5%

All technical data measured at STC:1000W/m<sup>2</sup>AM 1.5,25°C

### MECHANICAL CHARACTERISTICS

Weight	3.4kg/m <sup>2</sup>
Dimension	1380*790*5mm
Maximum System Voltage	600/1000/1500V
Maximum series Fuse Rating	15/25A
Cell Technology	Mono-Si
Fire Rating	Class C

Note: Container transport packaging method

## Micro-inverter BDM-600

### Output | AC

Max AC Output Power(Wp)	600
Nominal Power Grid Voltage (Vac)	240 208 230
Allowable Power Grid Voltage (Vac)	211-264 183-229 Configurable
Allowable Power Grid Frequency (Hz)	59.3-60.5 Configurable
THD	<3% at rated power
Power Factor (cos phi, fixed)	>0.99 at rated power
Rated Output Current (Aac)	2.50 2.88 2.61
Current (inrush, peak and duration)	24A,15us
Nominal Frequency (Hz)	60 60 50
Maximum Output Fault Current (Aac)	4.6A peak
Maximum Output Overcurrent Protection (Aac)	10
Maximum Number of Units per Branch (20A) All NEC adjustment factors have been considered	7 6 6

### Input | DC

Max Recommended PV Power (Wp)	450*2
Max DC Open Circuit Voltage (Vdc)	60 (80V Customized)
Max DC Input Current (Adc)	14*2
MPPT Tracking Accuracy	>99.5%
MPPT Tracking Range (Vdc)	22-55
Isc PV (absolute maximum) (Adc)	18*2
Maximum Inverter Backfeed Current to the Array (Adc)	0

### System Efficiency

Weighted Averaged Efficiency (CEC)	96.50%
Night Time Rate Loss (Wp)	0.11

